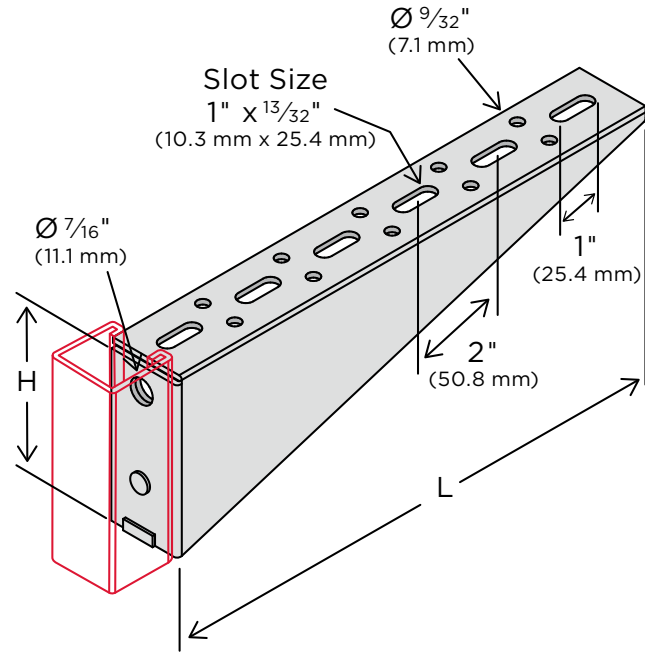


# Bracket — ZBR8L

## Slotted Shelf Bracket (Left Hand)

Standard finish is Electro-Galvanized (EG).

Uniform load rating 250 lbs. (1.11 kN) when mounted on 12 gauge channel.



| CATALOG NUMBER | WEIGHT |     | L     |                                 | H     |  |
|----------------|--------|-----|-------|---------------------------------|-------|--|
|                | lbs.   | in. | mm    | in.                             | mm    |  |
| ZBR8L0600EG    | 0.58   | 6   | 152.4 | 2 <sup>7</sup> / <sub>16</sub>  | 73.0  |  |
| ZBR8L0800EG    | 0.83   | 8   | 203.2 | 2 <sup>7</sup> / <sub>16</sub>  | 73.0  |  |
| ZBR8L1000EG    | 1.14   | 10  | 254.0 | 2 <sup>7</sup> / <sub>16</sub>  | 73.0  |  |
| ZBR8L1200EG    | 1.49   | 12  | 304.8 | 3 <sup>7</sup> / <sub>16</sub>  | 87.3  |  |
| ZBR8L1400EG    | 1.74   | 14  | 355.6 | 3 <sup>15</sup> / <sub>16</sub> | 100.0 |  |
| ZBR8L1600EG    | 2.25   | 16  | 406.4 | 4 <sup>7</sup> / <sub>16</sub>  | 112.7 |  |
| ZBR8L1800EG    | 2.55   | 18  | 457.2 | 4 <sup>15</sup> / <sub>16</sub> | 125.4 |  |

Material is 1<sup>3</sup>/<sub>16</sub>" (41.3 mm) wide x 1/4" (6.3 mm) thick unless specified. Holes are 9/32" (14.3 mm) diameter, 1<sup>3</sup>/<sub>16</sub>" (20.6 mm) center to edge on 1<sup>7</sup>/<sub>16</sub>" (47.6 mm) centers unless specified.

### Material Specifications and Finishes

Carbon Steel — ASTM A1011-00 SS GR 33 or ASTM A1011-00CS Type B

Note: Specifications subject to change without notice.

EG — Electro-Galvanized. Electroplating deposits zinc on the surface of the steel by electrolysis from a bath of zinc salts. Recommended for relatively dry indoor use. This is the standard coating for most ZI-Strut products. Thickness of applied zinc is between 0.2 mils and 0.5 mils (5.1 μm to 12.7 μm). Coatings on ZI-Strut EG products meet ASTM B633 SC1 Type III.

## SUBMITTAL INFORMATION

PROJECT: \_\_\_\_\_ CONTRACTOR: \_\_\_\_\_ DATE: \_\_\_\_\_

ENGINEER: \_\_\_\_\_ SPECIFICATION REFERENCE: \_\_\_\_\_ SYSTEM TYPE: \_\_\_\_\_

LOCATIONS: \_\_\_\_\_ COMMENTS: \_\_\_\_\_

ZI-112823