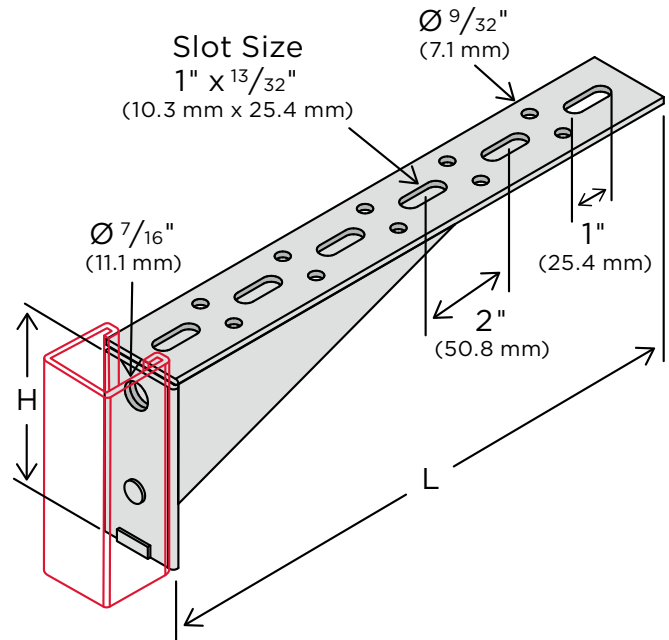


Bracket — ZBR8R

Slotted Shelf Bracket (Right Hand)

Standard finish is Electro-Galvanized (EG).

Uniform load rating 250 lbs. (1.11 kN) when mounted on 12 gauge channel.



CATALOG NUMBER	WEIGHT		L		H	
	lbs.	in.	mm	in.	mm	mm
ZBR8R0600EG	0.58	6	152.4	2 ⁷ / ₈	73.0	
ZBR8R0800EG	0.83	8	203.2	2 ⁷ / ₈	73.0	
ZBR8R1000EG	1.14	10	254.0	2 ⁷ / ₈	73.0	
ZBR8R1200EG	1.49	12	304.8	3 ⁷ / ₁₆	87.3	
ZBR8R1400EG	1.74	14	355.6	3 ¹⁵ / ₁₆	100.0	
ZBR8R1600EG	2.25	16	406.4	4 ⁷ / ₁₆	112.7	
ZBR8R1800EG	2.55	18	457.2	4 ¹⁵ / ₁₆	125.4	

Material is 1³/₈" (41.3 mm) wide x 1/4" (6.3 mm) thick unless specified. Holes are 9/16" (14.3 mm) diameter, 1³/₁₆" (20.6 mm) center to edge on 1⁷/₈" (47.6 mm) centers unless specified.

Material Specifications and Finishes

Carbon Steel — ASTM A1011-00 SS GR 33 or ASTM A1011-00CS Type B

Note: Specifications subject to change without notice.

EG — Electro-Galvanized. Electroplating deposits zinc on the surface of the steel by electrolysis from a bath of zinc salts. Recommended for relatively dry indoor use. This is the standard coating for most ZI-Strut products. Thickness of applied zinc is between 0.2 mils and 0.5 mils (5.1 μm to 12.7 μm). Coatings on ZI-Strut EG products meet ASTM B633 SC1 Type III.

SUBMITTAL INFORMATION

PROJECT: _____ CONTRACTOR: _____ DATE: _____

ENGINEER: _____ SPECIFICATION REFERENCE: _____ SYSTEM TYPE: _____

LOCATIONS: _____ COMMENTS: _____

ZI-112823