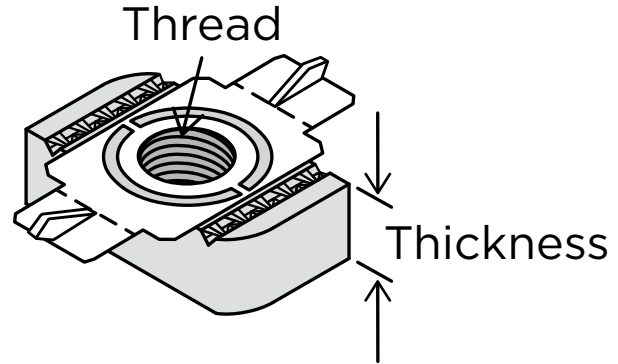


Channel Nut — ZCNSQ

Channel Squeeze Nut

Standard finish is Electro-Galvanized (EG).

For all channel sizes.



CATALOG NUMBER	THREAD SIZE	THICKNESS		WEIGHT
		in.	mm	lbs.
ZCNSQ2025EG	¼"-20	¼	6.35	0.093
ZCNSQ3037EG	⅜"-16	⅜	9.50	0.093
ZCNSQ3050EG	½"-13	⅜	9.50	0.092

Material Specifications and Finishes

Carbon Steel — ASTM A1011-00 SS GR 33 or ASTM A1011-00CS Type B

EG — Electro-Galvanized. Electroplating deposits zinc on the surface of the steel by electrolysis from a bath of zinc salts. Recommended for relatively dry indoor use. This is the standard coating for most ZI-Strut products. Thickness of applied zinc is between 0.2 mils and 0.5 mils (5.1 µm to 12.7 µm). Coatings on ZI-Strut EG products meet ASTM B633 SC1 Type III.

Note: Specifications subject to change without notice.

SUBMITTAL INFORMATION

PROJECT: _____ CONTRACTOR: _____ DATE: _____

ENGINEER: _____ SPECIFICATION REFERENCE: _____ SYSTEM TYPE: _____

LOCATIONS: _____ COMMENTS: _____

ZI-113023