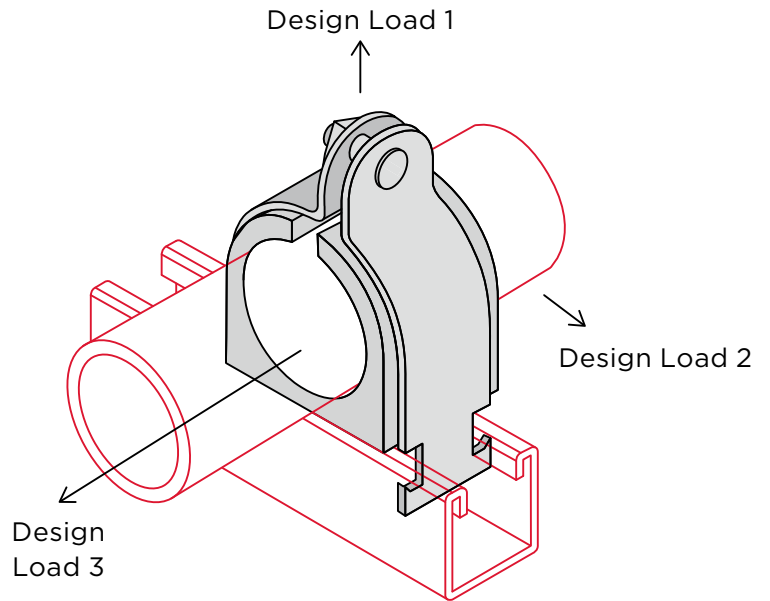


# Strut Clamp – ZCCT

## Cushioned Tubing Strut Clamp

Standard finish is Yellow Chromate (YC).



### Material Specifications and Finishes

Carbon Steel – ASTM A1011-00 SS GR 33 or ASTM A1011-00CS Type B

YC – Yellow Zinc Dichromate. A 0.5 mil (12.7  $\mu\text{m}$ ) electro-galvanized zinc plating meeting ASTM B633 SC1 Type III is applied to the surface of the metal. Yellow Dichromate is applied over the zinc. This results in a yellowish gold appearance and acts as a nonporous barrier sealant that is corrosion resistant and can be painted.

EG – Electro-Galvanized. Electroplating deposits zinc on the surface of the steel by electrolysis from a bath of zinc salts. Recommended for relatively dry indoor use. This is the standard coating for most ZI-Strut products. Thickness of applied zinc is between 0.2 mils and 0.5 mils (5.1  $\mu\text{m}$  to 12.7  $\mu\text{m}$ ). Coatings on ZI-Strut EG products meet ASTM B633 SC1 Type III.

S4 – 304 Stainless Steel – ASTM A240 (Type 304)

S6 – 316 Stainless Steel – ASTM A240 (Type 316)  
316 Stainless Steel Nuts – ASTM A276-03

Cushion material is a thermoplastic elastomer rated from -65° F to +275° F (-53° C to +135° C).

Note: Specifications subject to change without notice.

## SUBMITTAL INFORMATION

PROJECT: \_\_\_\_\_ CONTRACTOR: \_\_\_\_\_ DATE: \_\_\_\_\_

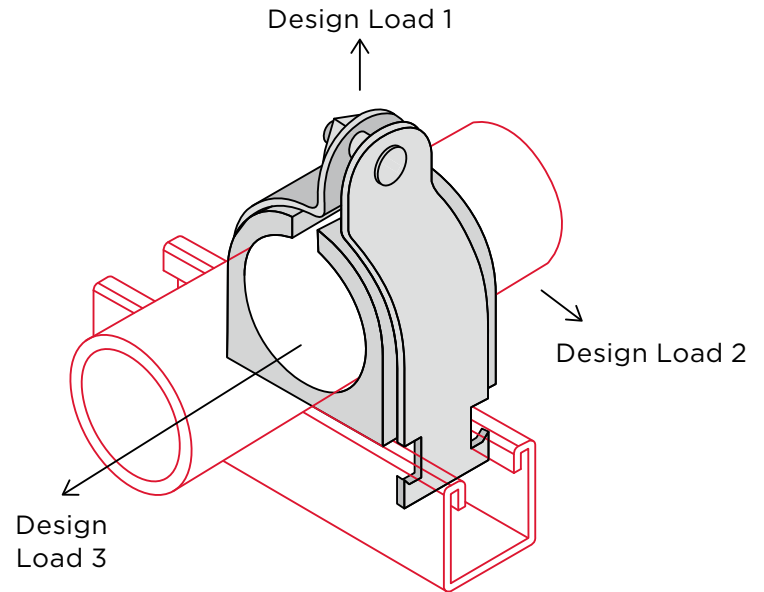
ENGINEER: \_\_\_\_\_ SPECIFICATION REFERENCE: \_\_\_\_\_ SYSTEM TYPE: \_\_\_\_\_

LOCATIONS: \_\_\_\_\_ COMMENTS: \_\_\_\_\_

# Strut Clamp – ZCCT

## Cushioned Tubing Strut Clamp

Standard finish is Yellow Chromate (YC).



CATALOG NUMBER	TUBING SIZE OD			DESIGN LOAD 1		DESIGN LOAD 2		DESIGN LOAD 3		WEIGHT
	in.	in.	mm	lbs.	kN	lbs.	kN	lbs.	kN	
ZCCT0025YC	¼	0.250	6.4							0.11
ZCCT0037YC	⅜	0.375	9.5							0.12
ZCCT0050YC	½	0.500	12.7	400	1.78	50	0.22	50	0.22	0.13
ZCCT0062YC	⅝	0.625	15.9							0.15
ZCCT0075YC	¾	0.750	19.0							0.14
ZCCT0087YC	7⁄8	0.875	22.3							0.21
ZCCT0100YC	1	1.000	25.4	600	2.67	75	0.33	75	0.33	0.22
ZCCT0112YC	1 ⅛	1.125	28.6							0.24
ZCCT0125YC	1 ¼	1.250	31.8							0.25
ZCCT0137YC	1 ⅜	1.375	34.9							0.26
ZCCT0150YC	1 ½	1.500	38.1							0.36
ZCCT0162YC	1 ⅝	1.625	41.3							0.39
ZCCT0175YC	1 ¾	1.750	44.5							0.43
ZCCT0187YC	1 ⅞	1.875	47.6							0.39
ZCCT0200YC	2	2.000	50.8	800	3.56	125	0.56	125	0.56	0.43
ZCCT0212YC	2 ⅛	2.125	54.0							0.50
ZCCT0225YC	2 ¼	2.250	57.2							0.52
ZCCT0262YC	2 ⅝	2.625	66.7							0.57
ZCCT0287YC	2 ⅞	2.875	73.0							0.59
ZCCT0312YC	3 ⅛	3.125	79.4							0.59
ZCCT0362YC	3 ⅝	3.625	92.1	1000	4.45	200	0.89	150	0.67	0.75
ZCCT0412YC	4 ⅛	4.125	104.8							0.84

Other sizes available upon request.