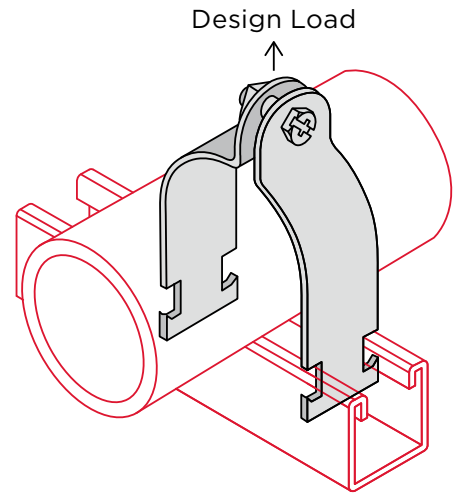


Strut Clamp – ZSCC

Copper Tubing Strut Clamp

Standard finish for model ZSCC is Copper Zinc Dichromate (CP), which has a copper color to identify product for use with copper tubing. For further information see coating specifications.



CATALOG NUMBER	TUBING SIZE		OD		DESIGN LOAD		WEIGHT
	in.	mm	in.	mm	lbs.	kN	lbs.
ZSCC0025CP	¼	6	0.375	9.5	400	1.78	0.08
ZSCC0037CP	⅜	10	0.500	12.7	400	1.78	0.09
ZSCC0050CP	½	15	0.625	15.9	400	1.78	0.10
ZSCC0075CP	¾	20	0.875	22.2	400	1.78	0.11
ZSCC0100CP	1	25	1.125	28.6	600	2.67	0.14
ZSCC0125CP	1¼	32	1.375	34.9	600	2.67	0.16
ZSCC0150CP	1½	40	1.625	41.3	600	2.67	0.16
ZSCC0200CP	2	50	2.125	54.0	800	3.56	0.30
ZSCC0250CP	2½	65	2.625	66.7	800	3.56	0.35
ZSCC0300CP	3	80	3.125	79.4	800	3.56	0.38
ZSCC0350CP	3½	90	3.625	92.1	1000	4.45	0.52
ZSCC0400CP	4	100	4.125	104.8	1000	4.45	0.60
ZSCC0500CP	5	125	5.125	130.2	1000	4.45	0.72
ZSCC0600CP	6	150	6.125	155.6	1000	4.45	0.80

Material Specifications and Finishes

Carbon Steel – ASTM A1011-00 SS GR 33 or ASTM A1011-00CS Type B

Note: Specifications subject to change without notice.

CP – Copper Zinc Dichromate. A 0.2 mil (5 µm) electro-galvanized zinc plating finished with a copper dichromate coating which meets ASTM B633 SC1 Type II. This copper colored coating improves corrosion resistance over colorless coatings and acts as a non-porous barrier that does not react adversely with copper pipe or tubing.

SUBMITTAL INFORMATION

PROJECT: _____ CONTRACTOR: _____ DATE: _____

ENGINEER: _____ SPECIFICATION REFERENCE: _____ SYSTEM TYPE: _____

LOCATIONS: _____ COMMENTS: _____

ZI-112823